

TIPO TYPE		Potenza Power		rpm	In 400 V A	Rend% Eff.%	Cosφ p.f.	Ia In	Ca Cn	Cn Nm	J kgm ²	Peso Weight Kg	TIPO TYPE	DC				AC				DC - S				POS.DC				
DAV	poli poles	kw	hp											CF Nm	Cicli/h Cycles/h	PB Watt	Peso Weight Kg	CF Nm	Cicli/h Cycles/h	PB VA	Peso Weight Kg	CF Nm	Cicli/h Cycles/h	PB Watt	Peso Weight Kg	CF Nm	Cicli/h Cycles/h	PB Watt	Peso Weight Kg	CF Nm
DP132S	2	3,70	5,00	2920	10,0	73,1	0,73	7,0	1,8	12,1	0,03000	44,0	AD132S	2	80	430	55	54	90	430	500	57	17	430	35	58	120	430	38	58,0
	16	0,55	0,75	360	3,5	52,0	0,44	1,8	1,1	14,6	0,03000	44,0		16	80	2000	55	54	90	2000	500	57	17	2000	35	58	120	2000	38	58,0
DP132M	2	5,50	7,50	2920	12,0	78,8	0,84	7,5	2,0	18,0	0,04000	52,0	AD132M	2	80	400	55	62	90	400	500	65	17	400	35	59	120	400	38	66,0
	16	0,75	1,00	355	4,2	56,0	0,46	1,9	1,1	20,2	0,03800	52,0		16	80	2000	55	62	90	2000	500	65	17	2000	35	59	120	2000	38	66,0
DP160M	2	7,50	10,00	2900	19,0	78,0	0,73	7,0	2,6	24,7	0,08800	80,0	AD160M	2	150	300	85	95	200	300	600	96	30	300	65	95	240	300	45	102,0
	16	1,10	1,50	360	5,5	59,0	0,49	2,5	1,2	29,2	0,09000	80,0		16	150	1650	85	95	200	1650	600	96	30	1650	65	95	240	1650	45	102,0
DP160L	2	13,00	18,00	2900	24,0	82,0	0,95	7,0	2,8	42,8	0,10600	90,0	AD160L	2	150	300	85	105	200	300	600	106	30	300	65	106	240	300	45	112,0
	16	1,50	2,00	355	7,0	61,0	0,51	2,6	1,3	40,4	0,13000	90,0		16	150	1650	85	105	200	1650	600	106	30	1650	65	106	240	1650	45	112,0
DP180L	2	15,00	20,00	2920	39,0	87,0	0,64	6,3	2,2	49,1	0,15000	130,0	AD180L	2	260	200	100	150	400	200	600	150	-	-	-	-	480	200	70	152,0
	16	2,20	3,00	360	10,0	62,0	0,51	2,8	1,4	58,4	0,15000	130,0		16	260	200	100	150	400	200	600	150	-	-	-	-	480	200	70	152,0
DP200L	2	18,50	25,00	2900	55,0	88,0	0,55	7,0	2,5	60,9	0,20000	160,0	AD200L*	2	400	100	100	170	400	100	600	180	-	-	-	-	480	100	70	182,0
	16	3,00	4,00	350	13,0	65,0	0,51	3,1	1,5	81,9	0,20000	160,0		16	400	100	100	170	400	100	600	180	-	-	-	-	480	100	70	182,0

TIPO TYPE		Potenza Power		rpm	In 400 V A	Rend% Eff.%	Cosφ p.f.	Ia In	Ca Cn	Cn Nm	J kgm ²	Peso Weight Kg	TIPO TYPE	DC				AC				DC - S				POS.DC				
DAV	poli poles	kw	hp											CF Nm	Cicli/h Cycles/h	PB Watt	Peso Weight Kg	CF Nm	Cicli/h Cycles/h	PB VA	Peso Weight Kg	CF Nm	Cicli/h Cycles/h	PB Watt	Peso Weight Kg	CF Nm	Cicli/h Cycles/h	PB Watt	Peso Weight Kg	CF Nm
DP132S	4	3,70	5,00	1430	8,27	81,3	0,80	5,8	1,9	24,72	0,03000	44,0	AD132S	4	80	430	55	54	90	430	500	57	17	430	35	58	120	430	38	58,0
	16	0,55	0,75	360	3,50	52,0	0,44	1,8	1,1	14,60	0,03000	44,0		16	80	2000	55	54	90	2000	500	57	17	2000	35	58	120	2000	38	58,0
DP132M	4	5,50	7,50	1450	12,00	83,0	0,80	6,0	2,0	36,24	0,03300	52,0	AD132M	4	80	400	55	62	90	400	500	65	17	400	35	59	120	400	38	66,0
	16	0,75	1,00	355	4,20	56,0	0,46	1,9	1,1	20,18	0,03300	52,0		16	80	2000	55	62	90	2000	500	65	17	2000	35	59	120	2000	38	66,0
DP160M	4	7,50	10,00	1450	15,50	86,0	0,81	6,2	1,8	49,42	0,09000	80,0	AD160M	4	150	300	85	95	200	300	600	96	30	300	65	95	240	300	45	102,0
	16	1,10	1,50	360	5,50	59,0	0,49	2,5	1,2	29,19	0,09000	80,0		16	150	1650	85	95	200	1650	600	96	30	1650	65	95	240	1650	45	102,0
DP160L	4	9,50	13,00	1430	19,00	87,0	0,83	6,5	2,0	63,47	0,11000	90,0	AD160L	4	150	300	85	105	200	300	600	106	30	300	65	106	240	300	45	112,0
	16	1,50	2,00	355	7,00	61,0	0,51	2,6	1,3	40,37	0,11000	90,0		16	150	1650	85	105	200	1650	600	106	30	1650	65	106	240	1650	45	112,0
DP180M	4	12,50	15,00	1420	24,00	88,0	0,86	6,8	1,8	84,10	0,15000	115,0	AD180M	4	260	200	100	134	400	200	600	134	-	-	-	-	480	200	70	135,5
	16	1,87	2,50	360	8,50	62,0	0,51	2,8	1,4	49,63	0,15000	115,0		16	260	200	100	134	400	200	600	134	-	-	-	-	480	200	70	135,5
DP180L	4	15,00	17,00	1420	28,00	91,0	0,85	7,0	1,7	100,92	0,17000	130,0	AD180L	4	260	200	100	150	400	200	600	150	-	-	-	-	480	200	70	152,0
	16	2,20	3,00	360	10,00	62,0	0,51	2,8	1,4	58,39	0,17000	130,0		16	260	200	100	150	400	200	600	150	-	-	-	-	480	200	70	152,0
DP200L	4	25,00	34,00	1420	40,00	91,0	0,99	7,0	1,6	168,21	0,18000	150,0	AD200L*	4	400	100	100	170	400	100	600	180	-	-	-	-	480	100	70	182,0
	16	4,50	6,20	350	13,00	65,0	0,77	3,1	1,5	122,84	0,18000	150,0		16	400	100	100	170	400	100	600	180	-	-	-	-	480	100	70	182,0

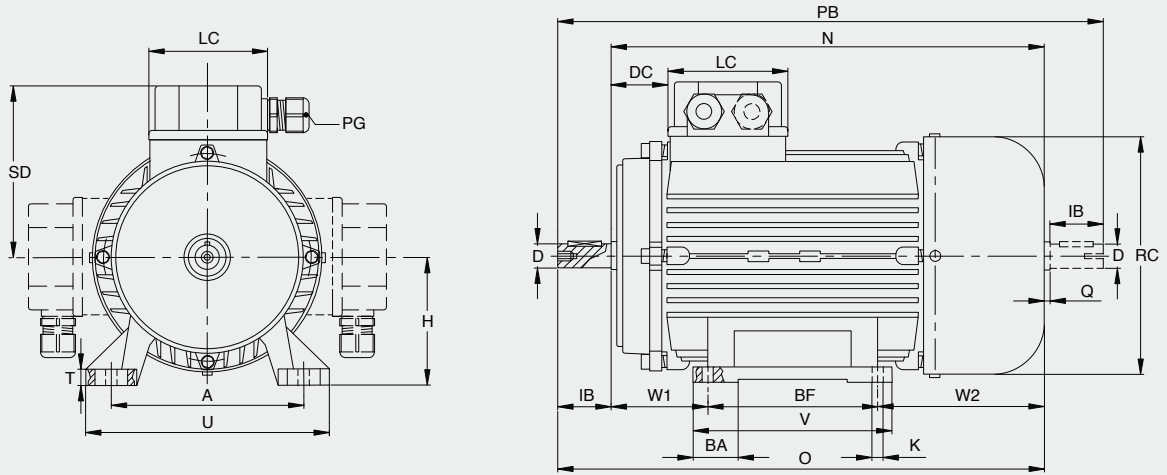
TIPO TYPE		Potenza Power		rpm	In 400 V A	Rend% Eff.%	Cosφ p.f.	Ia In	Ca Cn	Cn Nm	J kgm ²	Peso Weight Kg	TIPO TYPE	DC				AC				DC - S				POS.DC				
DAV	poli poles	kw	hp											CF Nm	Cicli/h Cycles/h	PB Watt	Peso Weight Kg	CF Nm	Cicli/h Cycles/h	PB VA	Peso Weight Kg	CF Nm	Cicli/h Cycles/h	PB Watt	Peso Weight Kg	CF Nm	Cicli/h Cycles/h	PB Watt	Peso Weight Kg	CF Nm
DP180M	4	12,50	15,00	1420	24,00	88,0	0,86	6,8	1,8	84,10	0,15000	115,0	AD180M	4	260	200	100	134	400	200	600	134	-	-	-	-	480	200	70	135,5
	32	1,10	1,50	160	8,00	58,0	0,34	2,6	1,3	65,68	0,15000	115,0		32	260	200	100	134	400	200	600	134	-	-	-	-	480	200	70	135,5
DP180L	4	15,00	17,00	1420	28,00	91,0	0,85	7,0	1,7	100,92	0,17000	130,0	AD180L	4	260	200	100	150	400	200	600	150	-	-	-	-	480	200	70	152,0
	32	1,50	2,20	160	9,00	58,0	0,42	2,6	1,3	89,57	0,17000	130,0		32	260	200	100	150	400	200	600	150	-	-	-	-	480	200	70	152,0
DP200L	4	25,00	34,00	1420	40,00	91,0	0,99	7,0	1,6	168,21	0,18000	150,0	AD200L*	4	400	100	100	170	400	100	600	180	-	-	-	-	480	100	70	182,0
	32	2,20	3,00	155	12,00	60,0	0,44	2,8	1,3	135,61	0,18000	150,0		32	400	100	100	170	400	100	600	180	-	-	-	-	480	100	70	182,0

Motori asincroni trifase doppia polarità serie DP
 Motori asincroni trifase doppia polarità autofrenanti serie AD
 DP series two-speed three-phase induction motors
 AD series two-speed three-phase induction brake motors

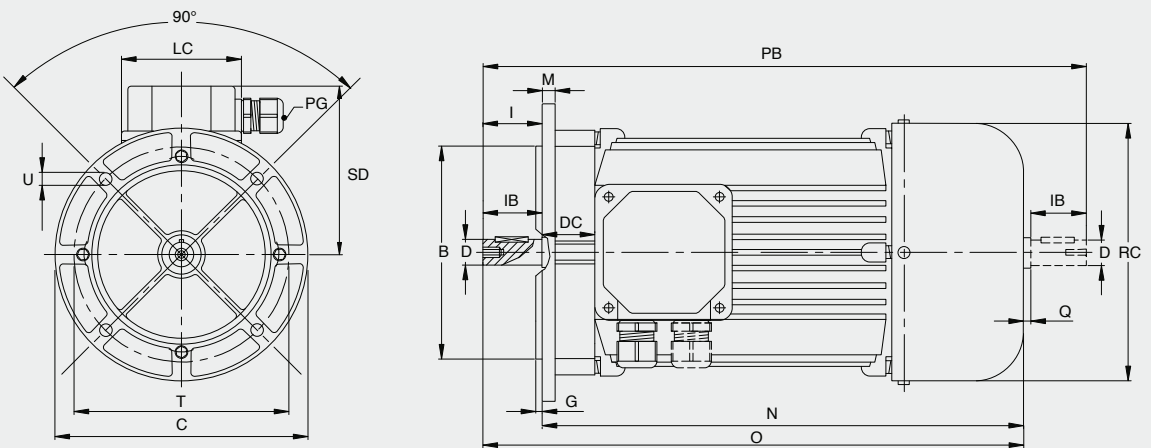
Dimensioni motori trifase e doppia polarità serie T - DP - HE2 - HE3** - IN
 Dimensions of three-phase and two-speed motors series T - DP - HE2 - HE3** - IN

In generale dalla grandezza 71 ÷ 200 piedi riportati / In generale dalla grandezza 71 ÷ 200 piedi riportati

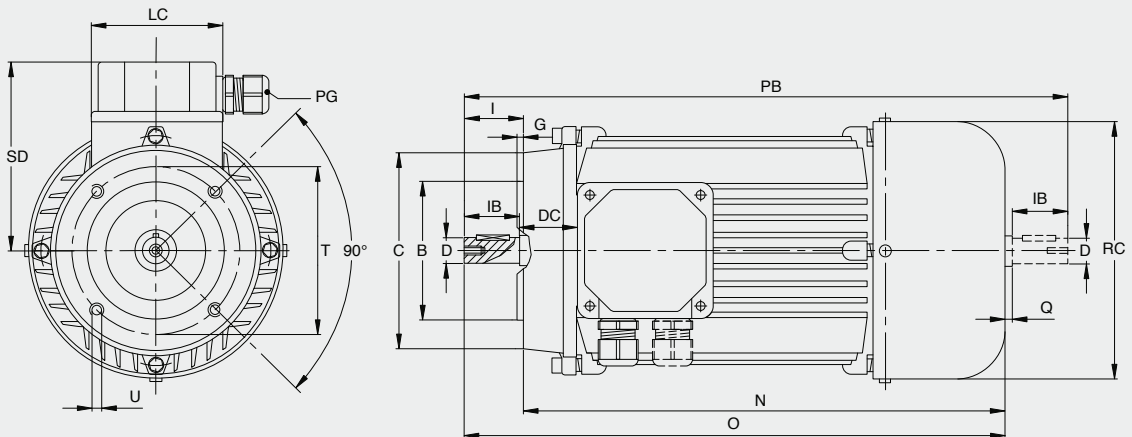
B3



B5

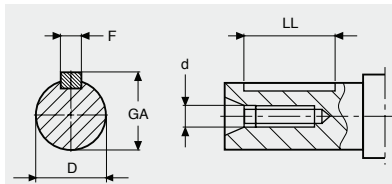


B14



* vedere pag. 45 ** su richiesta * see page 45 ** upon request

Tab. 37



Grand. / Size	50	56	63	71	80	90	100	112	132	160	180	200
F	3	3	4	5	6	8	8	8	10	12	14	16
D	9	9	11	14	19	24	28	28	38	42	48	55
GA	10,2	10,2	12,5	16,0	21,5	27,0	31,0	31,0	41,0	45,0	52,5	59,0
d		M4	M4	M5	M6	M8	M10	M10	M12	M16	M16	M20
LL	15	15	15	20	30	40	50	50	60	100	90	100

Grand. Size	Dimensioni / Dimensions																			B3	
	D	IB	A	BF	K	H	W1	W2	N	O	PG	RC	SD	TP	U	V	PB	Q	LC	DC	BA
56	9	20	90	71	6	56	36	61,0	168,0	188,0	M16	110	95	10	108	90	211,0	3	75	24	25
63	11	23	100	80	7	63	40	70,5	190,5	213,5	M16	123	100	10	120	105	239,5	3	75	28	27
71	14	30	112	90	8	71	48	80,0	218,0	248,0	M16	137	109	11	136	108	281,0	3	75	36	24
80	19	40	125	100	9	80	54	88,0	242,0	282,0	M20	156	123	13/14	154	125	326,0	4	91	35	30
90S	24	50	140	100	10	90	59	96,0	255,0	305,0	M20	176	128	13/15	170	130	358,0	3	91	40	30
90L	24	50	140	125	10	90	59	96,0	280,0	330,0	M20	176	128	13/15	170	155	383,0	3	91	40	32
100	28	60	160	140	13	100	63	109,0	312,0	372,0	M20	194	140	15/16	192	175	437,0	5	91	45	32
112	28	60	190	140	13	112	72	118,0	330,0	390,0	M20	218	148	15	224	176	455,0	5	91	47	34
132S	38	80	216	140	14	132	89	151,5	380,5	460,5	M32	258	177	16/18	260	180	546,5	6	106	57	37
132M	38	80	216	178	14	132	89	151,5	418,5	498,5	M32	258	177	16/18	260	218	584,5	6	106	57	37
160M	42	110	254	210	16	160	108	173,0	491,0	601,0	M32	309	220	18	318	260	718,0	7	165	118	52
160L	42	110	254	254	16	160	108	173,0	535,0	645,0	M32	309	220	18	318	304	-	-	165	118	52
180	48	110	280	280	16	180	120	210,0	610,0	720,0	M32	346	260	24	346	330	-	-	187	51	42
200	55	110	318	305	18	200	118	208,0	631,0	741,0	M32	348	260	26	398	355	-	-	187	62	54

Grand. Size	Dimensioni / Dimensions																			B5	
	D	I	B	C	G	M	N	O	PG	RC	SD	T	U	PB	Q	LC	DC	IB	LC	DC	BA
56	9	20	80	120	2,5	8,5	168,0	188,0	M16	110	95	100	7,0	211,0	3	75	24	20	75	24	25
63	11	23	95	140	2,5	10,0	190,5	213,5	M16	123	100	115	9,5	239,5	3	75	28	23	75	28	27
71	14	30	110	160	3,0	10,0	218,0	248,0	M16	137	109	130	9,5	281,0	3	75	36	30	75	36	24
80	19	40	130	200	3,0	11,0	242,0	282,0	M20	156	123	165	12,0	326,0	4	91	35	40	91	35	30
90S	24	50	130	200	3,5	10,0	255,0	305,0	M20	176	128	165	12,0	358,0	3	91	40	50	91	40	30
90L	24	50	130	200	3,5	10,0	280,0	330,0	M20	176	128	165	12,0	383,0	3	91	40	50	91	40	32
100	28	60	180	250	4,0	14,0	312,0	372,0	M20	194	140	215	14,5	437,0	5	91	45	60	91	45	32
112	28	60	180	250	4,0	14,0	330,0	390,0	M20	218	148	215	14,5	455,0	5	91	47	60	91	47	34
132S	38	80	230	300	4,0	20,0	380,5	460,5	M32	258	177	265	14,5	546,5	6	106	57	80	106	57	37
132M	38	80	230	300	4,0	20,0	418,5	498,5	M32	258	177	265	14,5	584,5	6	106	57	80	106	57	37
160M	42	110	250	350	5,0	20,0	491,0	601,0	M32	309	220	300	18,5	718,0	7	165	118	110	165	118	52
160L	42	110	250	350	5,0	20,0	535,0	645,0	M32	309	220	300	18,5	-	-	165	118	110	165	118	52
180	48	110	250	350	5,0	20,0	610,0	720,0	M32	346	260	300	19,0	-	-	187	51	110	187	51	42
200	55	110	300	400	5,0	20,0	631,0	741,0	M32	348	260	350	19,0	-	-	187	62	110	187	62	54

Grand. Size	Dimensioni / Dimensions																			B14	
	D	I	B	C	G	N	O	PG	RC	SD	T	U	PB	Q	LC	DC	IB				
50A	9	20	50	80	2,5	125,0	145,0	M16	98	77	65	M5	-	-	56	20	20				
50B	9	20	50	80	2,5	141,0	161,0	M16	98	77	65	M5	184,0	3	64	23	20				
56	9	20	50	80	2,5	168,0	188,0	M16	110	95	65	M5	211,0	3	75	24	20				
63	11	23	60	90	2,5	190,5	213,5	M16	123	100	75	M5	239,5	3	75	28	23				
71	14	30	70	105	3,0	218,0	248,0	M16	137	109	85	M6	281,0	3	75	36	30				
80	19	40	80	120	3,0	242,0	282,0	M20	156	123	100	M6	326,0	4	91	35	40				
90S	24	50	95	140	3,0	255,0	305,0	M20	176	128	115	M8	358,0	3	91	40	50				
90L	24	50	95	140	3,0	280,0	330,0	M20	176	128	115	M8	383,0	3	91	40	50				
100	28	60	110	160	4,0	312,0	372,0	M20	194	140	130	M8	437,0	5	91	45	60				
112	28	60	110	160	4,0	330,0	390,0	M20	218	148	130	M8	455,0	5	91	47	60				
132S	38	80	130	200	4,0	380,5	460,5	M32	258	177	165	M10	546,5	6	106	57	80				
132M	38	80	130	200	4,0	418,5	498,5	M32	258	177	165	M10	584,5	6	106	57	80				
160M	42	110	180	250	4,0	491,0	601,0	M32	309	220	215	M12	718,0	7	165	118	110				
160L	42	110	180	250	4,0	535,0	645,0	M32	309	220	215	M12	-	-	165	118	110				

B14 - grandezze 180 / 200 disponibili su richiesta B14 - sizes 180 / 200 available on request